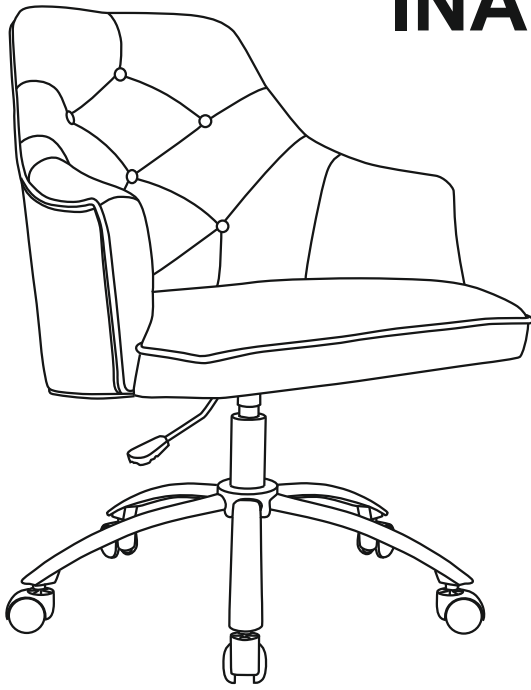


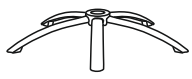

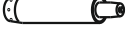
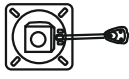

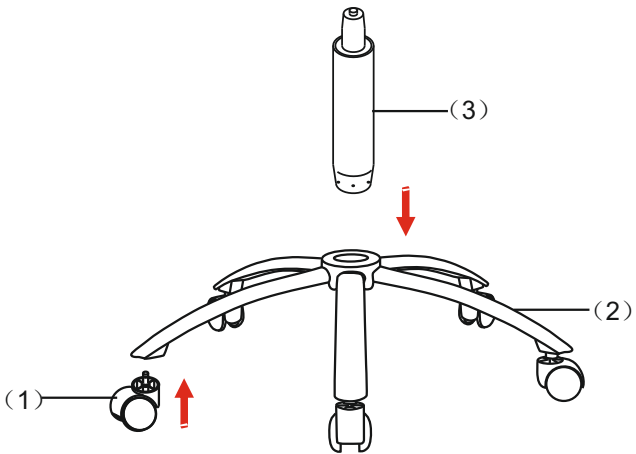


# INAYA

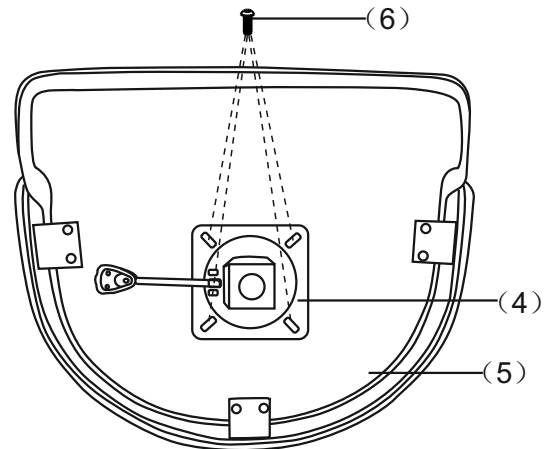


(1) X5 	(6) X4  M6*20mmL
(2) X1 	(7) X1  5mm
(3) X1 	
(4) X1 	
(5) X1 	

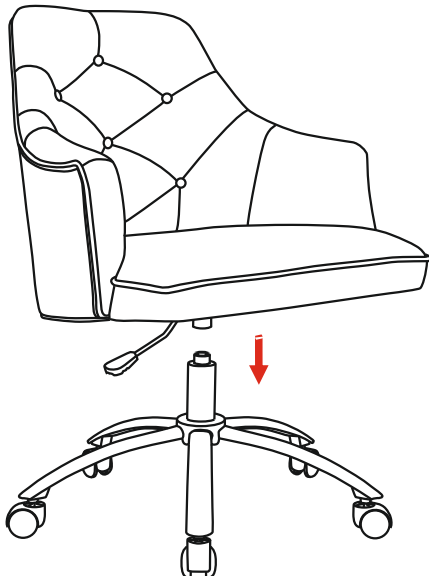
1



2



3



4

